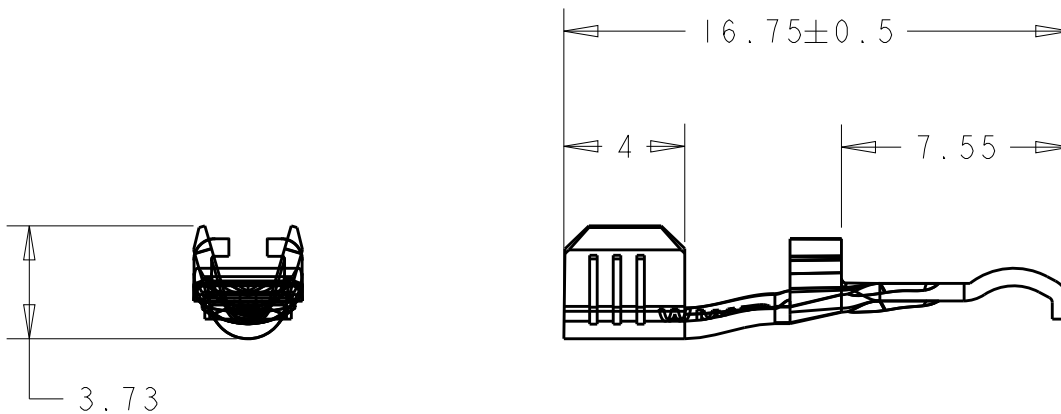
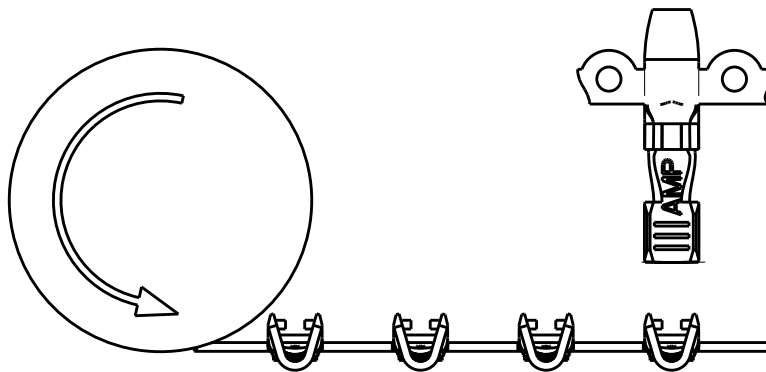


LOC	DIST	REVISIONS					
CM	0	P	LTR	DESCRIPTION	DATE	DWN	APVD
			B	OBSOLETE PER ECO-18-010313	26JUN2019	ML	SZ
			BI	REACTIVATE PN-1	20DEC2019	ML	SZ

THIS PRODUCT HAS PASSED VERIFICATION AND AGENCY APPROVALS TESTING AND IS COMPONENT RECOGNIZED PER UL 1977 AND CSA 22.2. TYCO ELECTRONICS PRODUCT QUALIFICATION TESTING IS NOT YET COMPLETE.



NOTES:
 1. MATERIAL: HIGH CONDUCTIVE COPPER ALLOY.



METRIC

OBSOLETE

TIN	1604113-2
SILVER	1604113-1
FINISH	PART NUMBER

20
 RELEASED FOR PUBLICATION

THIS DRAWING IS UNPUBLISHED.
 COPYRIGHT 20 BY TYCO ELECTRONICS CORPORATION. ALL RIGHTS RESERVED.

DIMENSIONS: mm		DWN B. HAYMAKER 11 APR 2002	MATERIAL -	FINISH -
TOLERANCES UNLESS OTHERWISE SPECIFIED:		CHK K. KETELSLEGER 11 APR 2002	Tyco Electronics Harrisburg, PA 17105-3608	
0 PLC ±1 1 PLC ±0.5 2 PLC ±0.30 3 PLC ±0.150 4 PLC ± ANGLES ±5°		APVD K. KETELSLEGER 11 APR 2002		
		PRODUCT SPEC 108-2149	NAME AMP POWER 15 CONTACT CRIMPED WITH 16/18/20 AWG	
		APPLICATION SPEC 114-13127	SIZE A4	CAGE CODE 00779
		WEIGHT -	DRAWING NO C-1604113	RESTRICTED TO
		CUSTOMER DRAWING	SCALE 4:1	SHEET 1 OF 1 REV B1